

## Custom Size Paper

This topic includes:

- "Guidelines" on page 2-69
- "Printing Custom Size Paper in Tray 1 (MPT) or Tray 2" on page 2-70

### Guidelines

Print custom size paper in Tray 1 (MPT) and Tray 2 only. Use custom size paper within the following dimensions:

<b>Tray 1 (MPT)</b>	Width	<b>7750B:</b> 100 mm - 297 mm (3.95 in. - 11.70 in.) <b>7750DN, 7750GX, 7750DXF:</b> 100 mm - 320 mm (3.95 in. - 12.00 in.)
	Height	<b>7750B:</b> 140 mm - 432 mm (5.5 in. - 17 in.) <b>7750DN, 7750GX, 7750DXF:</b> 140 mm - 1200 mm (5.5 in. - 47.25 in.)
<b>Tray 2</b>	Width	140 mm - 297 mm (5.5 in. - 11.70 in.)
	Height	182 mm - 432 mm (7.15 in. - 17 in.)

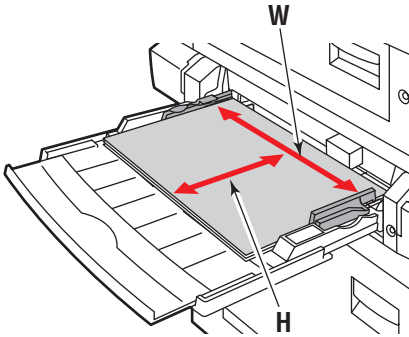
To print custom size print jobs, **Custom** must be selected at the front panel and the paper size and paper tray must be selected in the printer driver.

# Printing Custom Size Paper in Tray 1 (MPT) or Tray 2

## Loading the Paper Trays

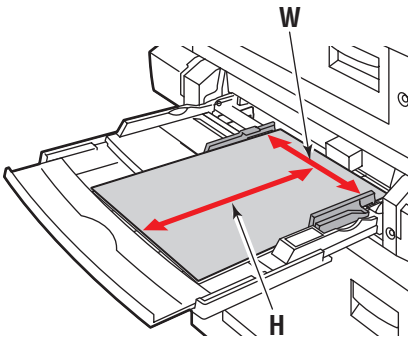
- 1. Insert custom size paper in Tray 1 (MPT) or Tray 2.

### Tray 1 (MPT)



7750-171

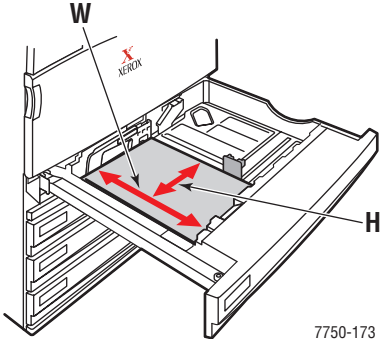
Long-Edge Feed



7750-172

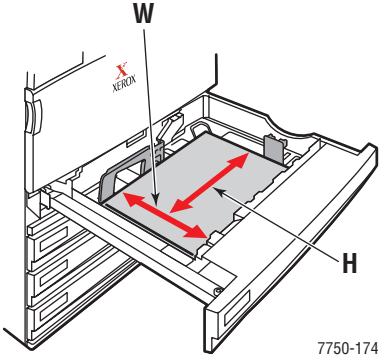
Short-Edge Feed

### Tray 2



7750-173

Long-Edge Feed



7750-174

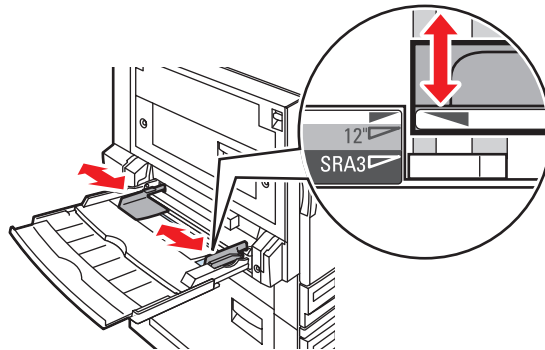
Short-Edge Feed

- 2. Adjust the paper guides to the size of the paper.

### Tray 1 (MPT)

The arrow on the width guide, displayed in the following graphic, must line up with one of three positions identified on the labeled area next to the width guide. Push firmly to move the width guide so that the arrow points to the correct position for the paper size you are using:

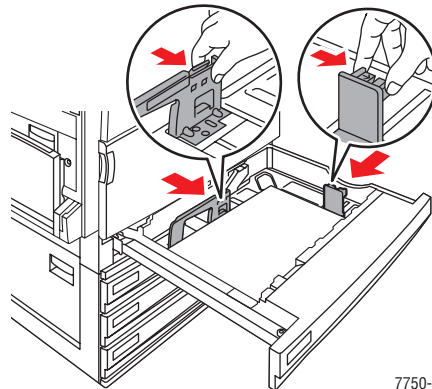
- **SRA3** (displayed in a black field): Do not use this setting for custom size printing.
- **12"** (displayed in a gray field): Use this setting for paper widths of 11.75 in.-12 in. (298 mm-305 mm)
- All other sizes (indicated by a black arrow)



7750-167

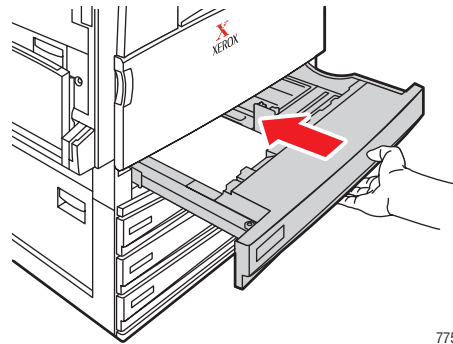
### Tray 2

Adjust the paper guides according to the paper size and orientation (long-edge feed or short-edge feed). Labels inside the paper tray provide additional information for loading paper according to size and orientation.



7750-092

Push Tray 2 completely into the printer.



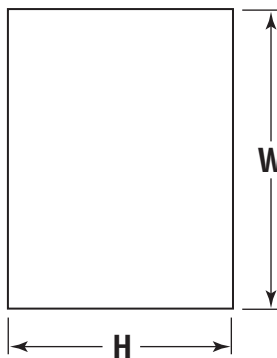
7750-014

### Selecting Custom Size Options at the Front Panel

1. At the printer's front panel, do one of the following:
  - Press the **OK** button if both the paper type and size selected are correct. Go to Step 7.
  - Select **Change** if the paper type or size selected is not correct, then press the **OK** button. Go to step 2.
2. Select the paper type, then press the **OK** button.
3. Select **Custom**, then press the **OK** button. You are prompted to enter the custom width and custom height.

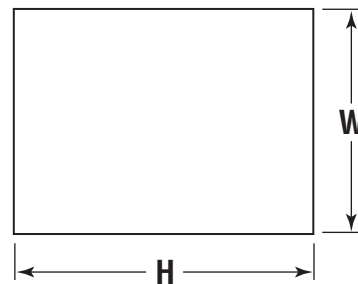
#### Note

When the front panel prompts you to set **Custom Width (W)** and **Custom Height (H)**, verify that you are selecting the correct width and height values for the paper size and orientation (long-edge feed or short-edge feed). See the following illustration to determine how to select the correct width and height.



7750-168

Long-Edge Feed



7750-169

Short-Edge Feed

4. Select **Custom Width (W)**, press the **Up** or **Down Arrow** button to select a value, then press the **OK** button.

5. Select **Custom Height (H)**, press the **Up** or **Down Arrow** button to select a value, then press the **OK** button.
6. Select **Exit**, then press the **OK** button.
7. Select the printer driver settings.

### Selecting Printer Driver Settings

1. In printer **Properties**, select the **Paper/Quality** tab.
2. Select **Force printing from a specific tray**.
3. Select either **Tray 1 (MPT)** or **Tray 2** as the paper source.
4. Click the **OK** button to print.

#### Note

When you have completed custom size printing, turn off Custom in the front panel and in the printer driver.

### Turning Off Custom Size Printing for Tray 1 (MPT) or Tray 2

#### Selecting Front Panel Settings

At the printer's front panel:

1. Select **Printer Setup**, then press the **OK** button.
2. Select **Paper Handling Setup**, then press the **OK** button.
3. Select **Tray 1 (MPT) Setup** or **Tray 2 Setup**, then press the **OK** button.
4. Select **Change**, then press the **OK** button.
5. Select a paper type, then press the **OK** button.
6. Select one of the following options:
  - **Tray 1 (MPT)**: Select a paper size from the list displayed, then press the **OK** button.
  - **Tray 2**: Select **Auto-Sensed**, then press the **OK** button. The paper size is set to match the tray's paper guides.
7. Select **Exit**, then press the **OK** button.