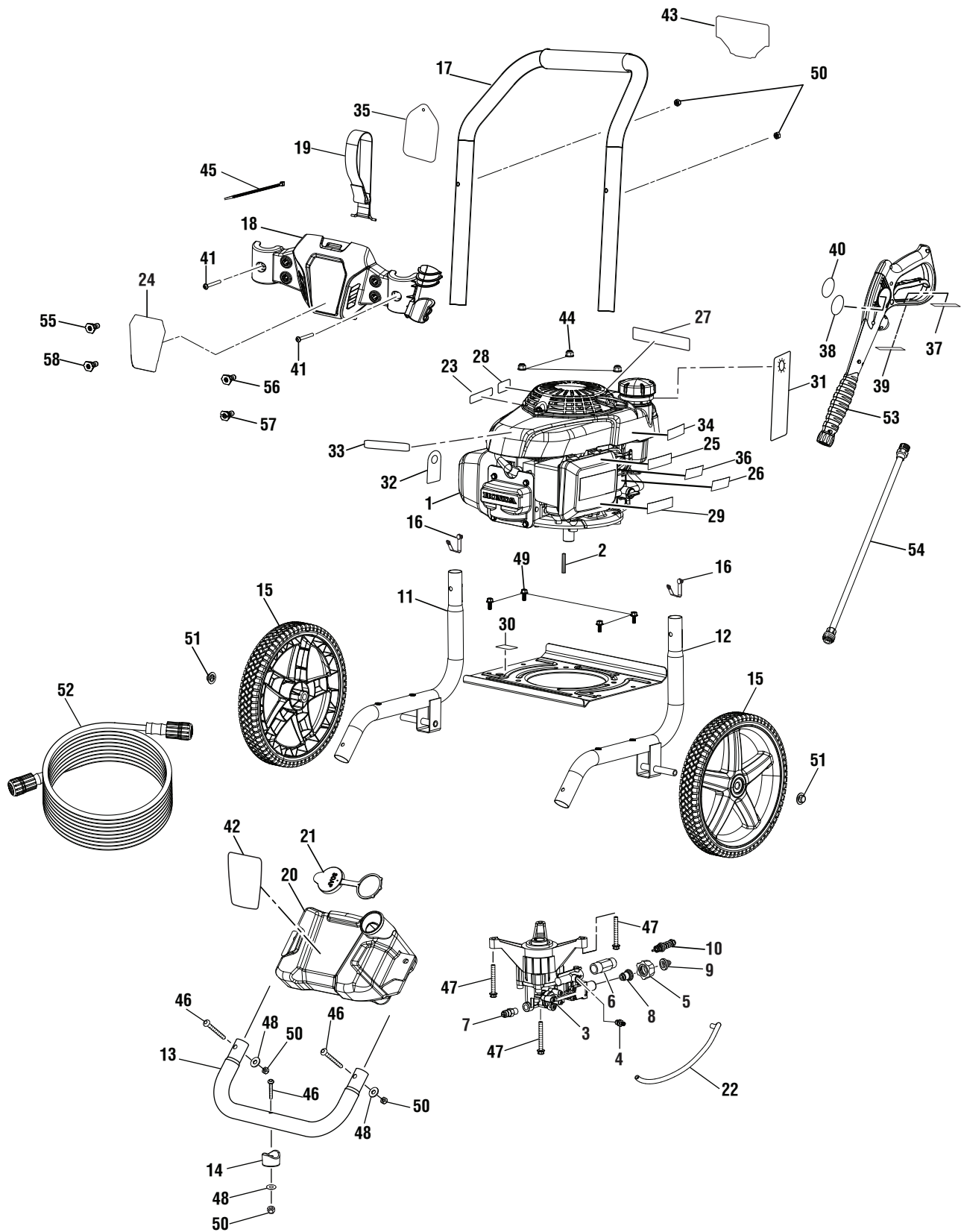


**RYOBI**  
**Pressure Washer**  
**Model No. RY80931**  
**Mfg. No. 090079400**  
**Replacement Parts List**

**TECHTRONIC INDUSTRIES NORTH AMERICA, INC.**

1428 Pearman Dairy Road, Anderson, SC 29625 USA  
1-800-860-4050 • [www.ryobitools.com](http://www.ryobitools.com)  
A subsidiary of Techtronic Industries Co., Ltd. • OTC: TTNDY

RYOBI PRESSURE WASHER ITEM NO. RY80931



## RYOBI PRESSURE WASHER ITEM NO. RY80931

The item and manufacturing numbers will be found on a label attached to the engine plate. Always mention the item and manufacturing numbers in all correspondence regarding your **PRESSURE WASHER** or when ordering replacement parts.

KEY NO.	PART NUMBER	DESCRIPTION	QTY	KEY NO.	PART NUMBER	DESCRIPTION	QTY
1	<b>Note A</b>	Engine (Honda GCV 160, 160cc OHC Vertical).....	1	32	961454001	Dipstick Hangtag.....	1
2	678041007	Output Shaft Key (40 mm).....	1	33	941714004	Honda Brand Label.....	1
3	308653093	Pump (Inc. Key Nos. 4-10).....	1	34	940872003	No E85 Label.....	1
4	308452002	Detergent Suction Kit.....	1	35	940473038	Nozzle Hangtag.....	1
5	310993003	Collar.....	1	36	941550005	Engine On/Off Label.....	1
6	308862003	Outlet Tube.....	1	37	940654228	Warning Label (Fr/Sp).....	1
7	678169004	Thermal Release Valve.....	1	38	940654084	Label (Wand Warning).....	1
8	642058001	Spindle.....	1	39	940786047	Label (Wand Rating).....	1
9	308662001	Filter Screen (Pump Inlet).....	1	40	940786035	Wand Logo Label.....	1
10	310924003	Pump Unloader Valve.....	1	41	661834004	Bolt (M6 x 42 mm, T-30 Torx Pan Hd.).....	2
11	310703012	Main Frame Assembly (Left, Inc. Key No. 16).....	1	42	940608020	Soap Tank Label.....	1
12	310704013	Main Frame Assembly (Right, Inc. Key No. 16).....	1	43	940617203	Quick Start Panel.....	1
13	310742028	Front Frame (Inc. Key Nos. 14, 46, 48 & 50).....	1	44	678774002	Flange Nut (M8).....	3
14	570554002	Wear Pad.....	1	45	900333015	Cable Tie.....	1
15	308451053	Wheel.....	2	46	661503015	Screw (M6 x 48 mm, T30 Torx Hd.).....	3
16	308421004	Lock Button w/Spring Clip.....	2	47	660962003	Bolt (M8 x 60 mm, Flange Hd.).....	3
17	308638060	Handle w/Foam.....	1	48	638128004	Washer (1/4 in.).....	3
18	310673029	Hose and Nozzle Holder.....	1	49	661505020	Bolt (M6 x 16 mm).....	4
19	308350003	Hose Holder Strap.....	1	50	678610006	Lock Nut (M6).....	5
20	580875014	Soap Tank.....	1	51	679957001	Push Cap Nut (1/2 in.).....	2
21	310650004	Soap Tank Cap.....	1	52	308835006	Hose (25 ft.).....	1
22	570728009	Chemical Siphon Tube.....	1	53	308760019	Trigger Handle Assembly (Inc. Keys Nos. 37-40).....	1
23	940680027	Hot Surface Label.....	1	54	308506014	Extension Wand.....	1
24	940617189	Performance Label.....	1	55	308697029	0° Nozzle.....	1
25	941486008	Inquiries Label.....	1	56	308699029	25° Nozzle.....	1
26	940698019	Engine Control Label.....	1	57	308700030	40° Nozzle.....	1
27	940851343	Danger Label.....	1	58	308706015	Soap Nozzle.....	1
28	940947010	Combustion Label.....	1	<b>Not Shown:</b>			
29	940803288	EMC Label.....	1	519314001	Funnel		
30	940871016	Engine Oil Fill Label.....	1	995000476	Operator's Manual		
31	940851346	Danger Hangtag.....	1	995000477	Quick Reference Guide		

**NOTE A:** OWT Industries, Inc., will not provide engines as replacement parts. Engines are covered through the engine manufacturer's warranty. Consult the accompanying engine manual or contact our service department for assistance.